

# Achieving 7-stars in a heating climate.

Advantage in energy performance



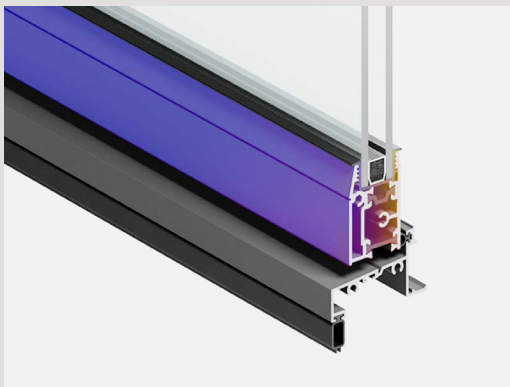
**A&L**  
WINDOWS | DOORS

ComfortSmart  
**HYBRID**

# Advanced performance and comfort are now standard

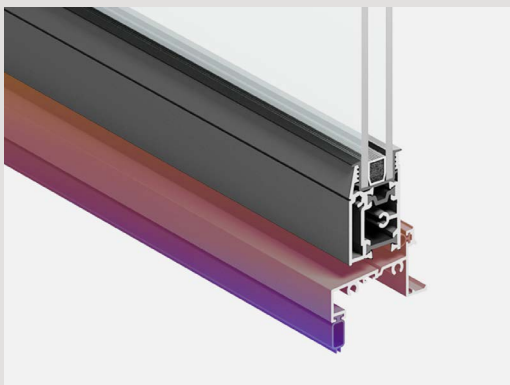
Since May 1, 2024, new homes and building permits in Australia must meet a 7-star energy efficiency rating under the updated NCC 2022 standards.

ComfortSmart Hybrid is our latest thermally broken sash and panel, engineered to deliver outstanding energy efficiency in cool climate homes. Part of our ComfortSmart Optimal range, it offers a smarter path to thermal performance without the complexity, cost or design trade-offs of a fully broken system.



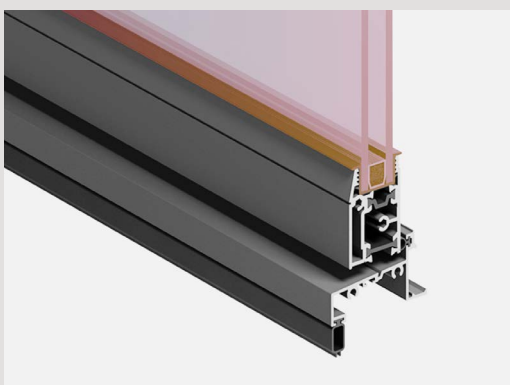
## **Insulated polyamide barrier**

A polyamide insert sits between internal and external frames to reduce heat transfer at its most critical point.



## **Same frame advantage**

No need for custom, bulky frames. ComfortSmart Hybrid fits within our existing range for more flexibility and easier installation.



## **Scalable energy performance**

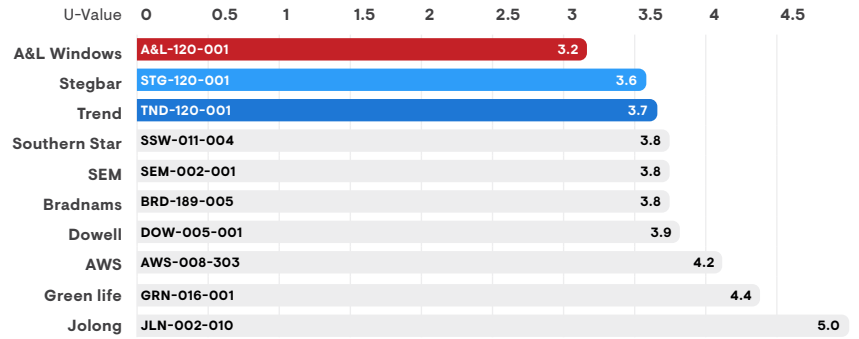
Combined with our Double Glazing, Inline Reveal, and Low-E glass technologies, you can achieve increasing levels of performance.

## Window manufacturer performance comparison<sup>†</sup>

In Victoria, one of the most effective ways to achieve 7 stars in your home is by having windows and doors with a low 'U-Value', which indicates better insulation. The below Standard, Good, Better or Best options highlight an indicative U-Value comparison for our awning products.



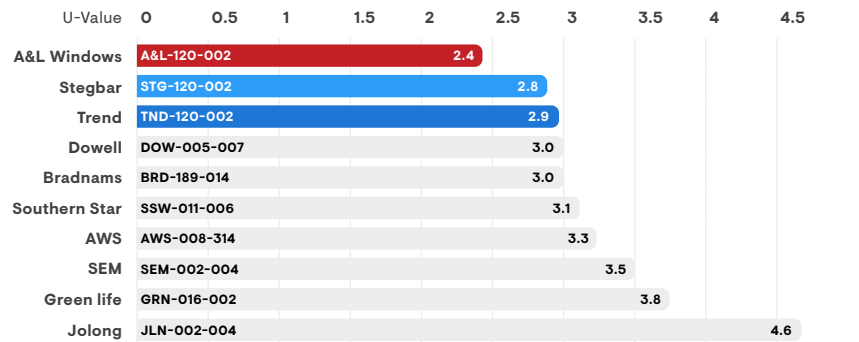
**Standard**  
ComfortSmart Hybrid  
DG Clear



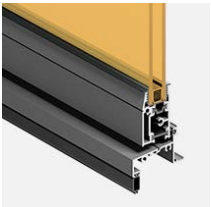
<sup>†</sup>Performance comparison based on Standard Residential Awning Frames



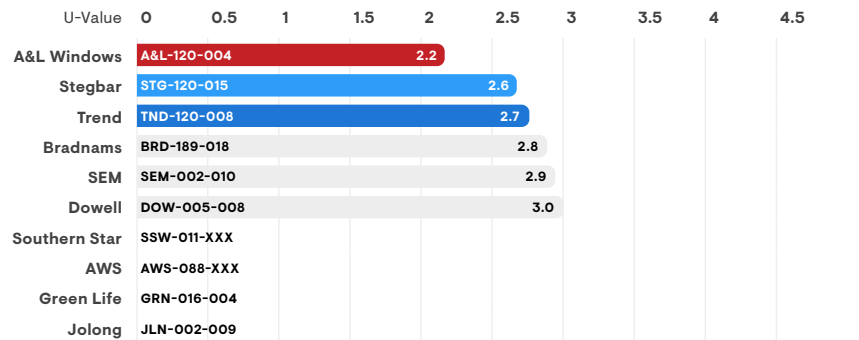
**Good**  
ComfortSmart Hybrid  
DG Single Coat Low-E



<sup>†</sup>Performance comparison based on Standard Residential Awning Frames



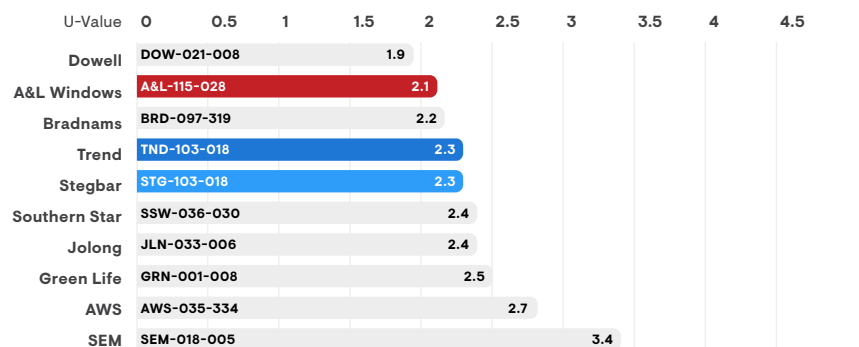
**Better**  
ComfortSmart Hybrid  
DG Double Coat Low-E



<sup>†</sup>Performance comparison based on Standard Residential Awning Frames



**Best**  
ComfortSmart Ultra  
Full Thermally Broken  
DG Single Coat Low-E



<sup>†</sup>Performance comparison based on Full Thermally Broken Awning Frames

The data for the U Value comparison was taken from the publicly accessible WERSLink website ([werslink.com.au](http://werslink.com.au)), captured on 17th March 2025. Products included in the comparison closely align with the characteristics of the products being compared: aluminium residential windows (approximately 60mm depth) and semi-commercial thermally broken windows (80-100+mm depth). Each category compares the most similar glass thickness and specs; where the same glass thickness/spec's are not available, the closest match is used.

## Our scalable answer to energy performance

From simple performance upgrades to meeting the highest efficiency standards, get the most from ComfortSmart Hybrid with our **Good, Better, Best** offering.

Our offering	The result	U-Value range
<b>Standard</b> ComfortSmart Hybrid	A smart way to boost energy efficiency at no extra cost, ComfortSmart Hybrid's thermally broken sash or panel now comes standard in our clear double glazed range.	<b>3.2</b>
<b>Good</b> ComfortSmart Hybrid + Single 'Soft' Coat Low-E	Add a single layer of 'Soft' Low-E coating. Ideal for demanding climates, orientations or designs where you want to reduce heat loss.	<b>2.4</b> ✓
<b>Better</b> ComfortSmart Hybrid + Double 'Soft' and 'Hard' Coat Low-E	Add dual 'Soft' and 'Hard' Low-E coatings. Achieve similar performance to a fully thermally broken system without the complexity or cost.	<b>2.2</b> ✓ ✓
<b>Best</b> ComfortSmart or ComfortSmart Ultra + Single 'Soft' Coat Low-E	ComfortSmart (Residential) and ComfortSmart Ultra (Semi-commercial) applies a full thermally broken system for the most advanced performance requirements.	<b>2.1</b> ✓ ✓ ✓



### Single Story Detached

Less than 27% glazing ratio



### Double Story Townhouse

Less than 20% glazing ratio



### Double Story Detached

Less than 28% glazing ratio

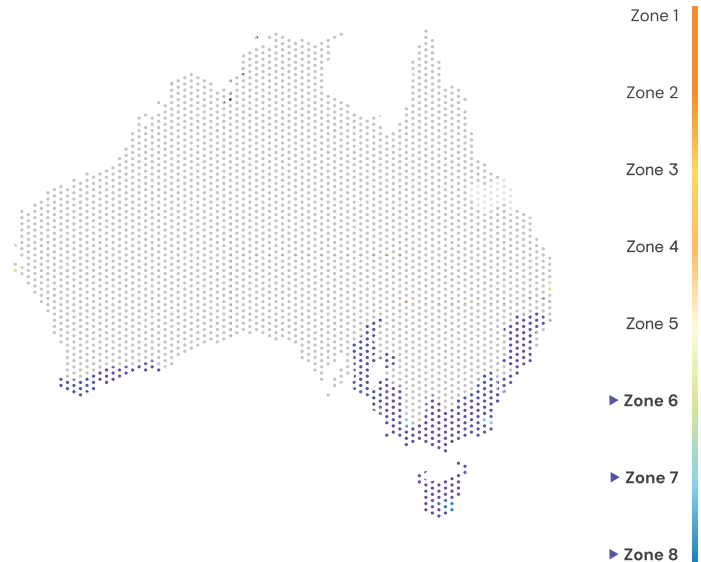
DG – Double Glazed Unit  
TB – Full Thermally Broken  
Single coat – Soft Coat Low-E  
Double coat – Soft & Hard Coat Low-E

		Awning					
		Awn	Fix	SD			
<b>Standard</b>	ComfortSmart Hybrid	3.2	2.9	3.3	Clear DG Glass UV Range - 3.5 - 4.0+	Clear DG Glass UV Range - 3.0 - 3.5	—
<b>Good</b>	ComfortSmart Hybrid	2.4	1.9	2.4	DG Single Coat Low-E UV Range - 2.5 - 3.0	DG Single Coat Low-E UV Range - 2.5 - 3.0	DG Single Coat Low-E UV Range - 2.5 - 3.0
<b>Better</b>	ComfortSmart Hybrid	2.2	1.6	2.1	—	DG Double Coat Low-E UV Range - 2.0 - 2.5	DG Double Coat Low-E UV Range - 2.0 - 2.5
<b>Best</b>	ComfortSmart & ComfortSmart Ultra	2.1	1.7	1.9	—	—	DG TB Single Coat Low-E UV Range - 1.5 - 2.0

\*Information 7 Star u-value table based on [agwa.com.au/Members/Members/Technical-Resources/AGWA-Guide-Series.aspx](http://agwa.com.au/Members/Members/Technical-Resources/AGWA-Guide-Series.aspx)

# In cold conditions buildings lose up to 49% of heat through glass and windows.

Here, the most effective window solutions prevent heat escaping from your home; energy efficiency is about retaining warmth. The NCC calls this a heating climate.



Walls	14% ↓
Floor	18% ↓
Roof	19% ↓
<b>Glass and windows</b>	<b>49% ↓</b>

## Energy savings are now built into our standard range

Designed, engineered and built for performance in heating climates, ComfortSmart Hybrid is included in our standard range of products for Victorian customers.



## Dive deeper into the numbers

For a complete guide to the U-Value performance ratings of our products, check out the below table.

Product Type	WERS Code	Option	Glass Type	U Value	SHGC	Reduction of U-Value
Standard Awning Window	A&L-120-001	Standard	Hybrid Sash Clear DG	3.2	0.56	—
	A&L-120-002	Good	Hybrid Sash Soft Coat Low-E DG	2.4	0.43	25%
	A&L-120-004	Better	Hybrid Sash Double Coat Low-E DG	2.2	0.39	31%
	Not available	Best	Thermally Broken Single Coat Low-E DG	—	—	—
Standard Fixed Window	A&L-046-001	Standard	Clear DG	2.9	0.68	—
	A&L-046-307	Good	Single Coat Low-E DG	2.0	0.52	31%
	A&L-046-304	Better	Double Coat Low-E DG	1.6	0.48	45%
	Not available	Best	Thermally Broken Single Coat Low-E DG	—	—	—
Boutique Awning Window	A&L-118-001	Standard	Hybrid Sash Clear DG	3.5	0.50	—
	A&L-118-003	Good	Hybrid Sash Single Coat Low-E DG	2.8	0.38	20%
	A&L-118-006	Better	Hybrid Sash Double Coat Low-E DG	2.7	0.35	23%
	A&L-115-028	Best	Thermally Broken Single Coat Low-E DG	2.1	0.39	40%
Boutique Fixed Window	A&L-026-009	Standard	Clear DG	3.5	0.50	—
	A&L-026-304	Good	Single Coat Low-E DG	2.1	0.53	40%
	A&L-026-305	Better	Double Coat Low-E DG	2.1	0.48	40%
	A&L-116-035	Best	Thermally Broken Single Coat Low-E DG	1.7	0.50	51%
Standard Sliding Door	A&L-122-001	Standard	Hybrid Panel Clear DG	3.3	0.64	—
	A&L-122-003	Good	Hybrid Panel Single Coat Low-E DG	2.4	0.49	27%
	A&L-122-006	Better	Hybrid Panel Double Coat Low-E DG	2.2	0.44	33%
	A&L-108-015	Best	Thermally Broken Single Coat Low-E DG	1.9	0.49	42%
Boutique Sliding Door	A&L-123-001	Standard	Hybrid Panel Clear DG	3.7	0.57	—
	A&L-123-006	Good	Hybrid Panel Single Coat Low-E DG	2.9	0.44	22%
	A&L-123-012	Better	Hybrid Panel Double Coat Low-E DG	2.7	0.40	27%
	A&L-109-034	Best	Thermally Broken Single Coat Low-E DG	2.1	0.47	43%

