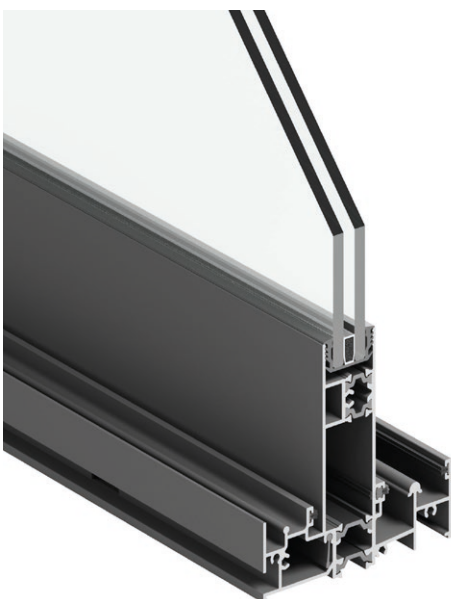


ComfortSmart Sliding and Stacking Doors

A&L
WINDOWS | DOORS

The ComfortSmart sliding and stacking door is an energy-efficient thermally broken door optimised to meet the new rating requirements with ease. The low profile 35mm sill height complies with LHA Silver Level, SDA Robust level, and NCC 2022 Livable Housing Design Standard.



Key features

- The ComfortSmart series maintains our unique inline reveal system for easy installation.
- Modern slimline frame for a clean, minimalist style.
- Flexible internal and external finishing options.
- Option for factory-fitted flashing to fully comply with the NCC requirements.
- Complements our standard product suite and accommodates mixed house lots.
- Double glazing prevents heat transfer between inside and outside and promotes high-performance energy efficiency.
- The low profile 35mm sill height is the same height inside to outside, a perfect solution for accessibility requirements.
- Overlapping interlocks minimise the sightlines of the interlock and allow for more glass and light. Two types of interlockers depending on your performance needs.
- Pull handle with integrated snib and lock.
- Bespoke heavy-duty 32mm rollers provide smooth and easy operation.
- Concealed, shadow-line drainage.
- Available in a variety of configurations to suit a range of home styles and designs.
- Panels are removable by lifting them up into the head, for easy maintenance of rollers and tracks.
- Performance seals offer improved noise insulation and prevent dust, water and wind penetration.
- A range of glazing options to improve comfort, acoustics, security and privacy.

Thermally broken frames tick all the boxes when it comes to durability, design, flexibility and energy performance.

ComfortSmart Sliding and Stacking Doors

Specifications

Product	Sliding and Stacking Doors
Product series	ComfortSmart
Frame profile	Sliding door – 106mm x 35mm. Stacking door – 172mm x 35mm
Sill options	Accessible sill as standard
Max frame	2600mm high (2365mm is the standard size)
Max sash	2545mm high x 1500mm wide. Max weight 200kgs
Sash profile	Stiles – 60mm. Rails – 84mm. Interlock – 46mm.
Glazing	20mm. Double glazing only
BAL rating	BAL40
Seal type	Woolpile with a fin
Colour options	Black, White, Surfmist and Monument
Screen options	Flyscreen and barrier screens
Hardware	D handle
Installation	By builder
Warranty	10-year warranty

For full range of configurations and standard sizes refer to the standard size and range charts.

Performance

Acoustic Performance	
Performance Criteria	Glass Type
RW32	Double glazing – 4/12Ar/4
RW32	Double glazing – 6/8Ar/6
RW34	Double glazing – 4/10Ar/6.38 Lam
RW34	Double glazing – 6/6Ar/10.38 Lam
RW35	Double glazing – 4/10Ar/6.5 Vlam Hush
Wind & Water Performance	
Performance Criteria	Rating
SLS	800Pa
ULS	2000Pa
Water	200Pa
N rating	N4
Thermal Performance	
Performance Criteria	Rating
Double glazed Uw range	1.7 – 2.8
Double glazed SHGC range	0.20 – 0.64



Accessible sills for achieving compliance with ease.

ComfortSmart Sliding and Stacking Doors

Hardware



D handle (inside)



Slim handle (outside)

Screens



Aluminium sliding screen fixed externally



Aluminium stacking screen fixed externally

ComfortSmart Sliding and Stacking Doors

A&L
WINDOWS | DOORS

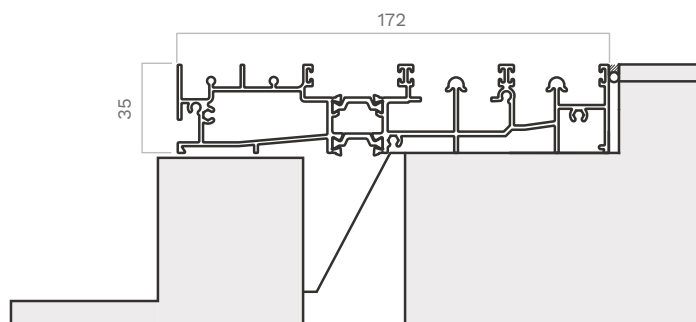
Sill building in details

172mm stacking door sill

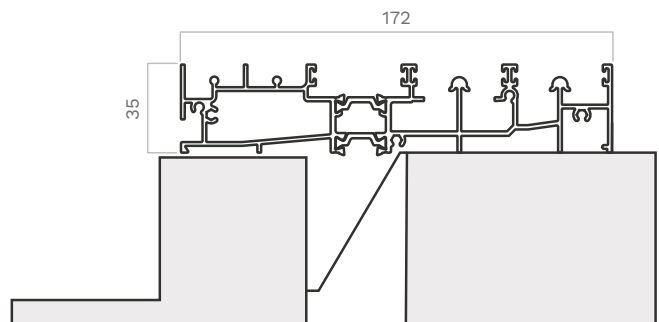


Flush threshold shown above.

Flush threshold



Standard threshold



Concrete cutout is the responsibility of the builder.

ComfortSmart Sliding and Stacking Doors

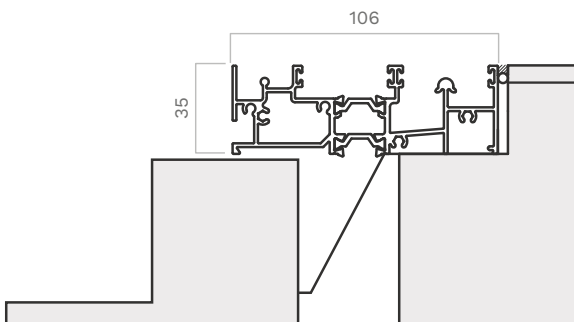
Sill building in details

106mm sliding door sill

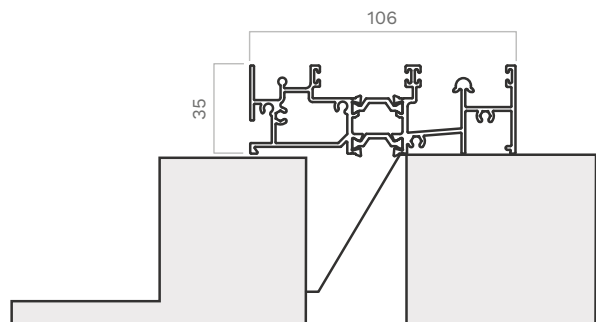


Flush threshold shown above.

Flush threshold



Standard threshold



Concrete cutout is the responsibility of the builder.